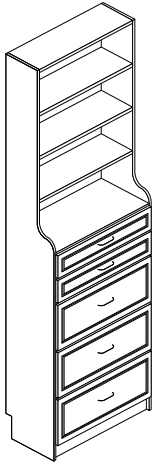




Floor Mount Hutch Kit

Rubbermaid Home Products
 1147 Akron Road
 Wooster, OH 44691
www.rubbermaid.com
 1-888-895-2110
 A **NewellRubbermaid** Company
 L8-3D76-P0

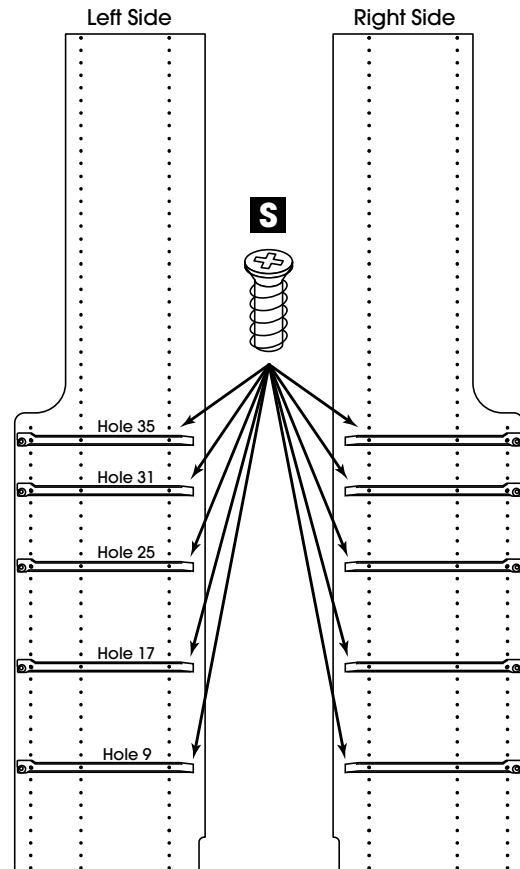
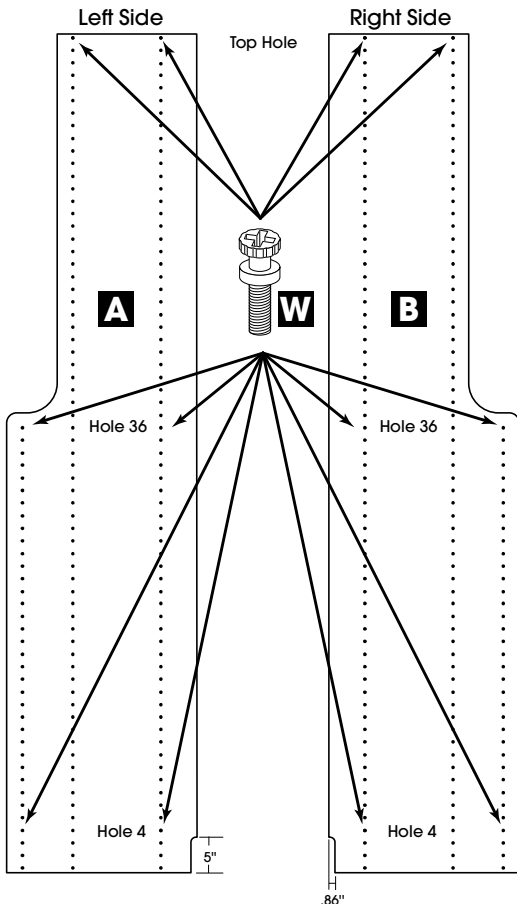


Description	Assembly Letter	Qty.
HUTCH SIDE, LEFT	A	1
HUTCH SIDE, RIGHT	B	1
FIXED SHELF	C	1
FIXED HUTCH SHELF	D1	1
FIXED HUTCH SHELF	D2	1
ADJUSTABLE SHELF	E	3
5" DRAWER FRONT, RAISED	F	2
10" DRAWER FRONT, RAISED	G	3
KICKPLATE	H	1
5" DRAWER BACK	I	2
DRAWER BOTTOM	J	5
10" DRAWER BACK	K	3
10" DRAWER GLIDE SET	L	3
5" DRAWER GLIDE SET	M	2
HANDLE WITH SCREWS	N	5
JEWELRY INSERT	O	1
COVER CAP	P	10
EXPANDING DOWEL, (L)	Q	5
EXPANDING DOWEL, (R)	R	5
SCREW, EURO 6MM DIA X 13MM LG	S	20
SCREW, #6 X 3/8" PHILLIPS PAN HEAD	T	20
SCREW, DRYWALL, #8 X 2 1/2"	U	2
CAM LOCK	V	12
CAM BOLT	W	12
SHELF SUPPORT	X	12
KICKBOARD BRACKET AND PLINTH CATCH	Y	2
SCREW, #6 X 1/2" PHILLIPS PAN HEAD	Z	4
TOGGLE BOLT AND ANCHOR	BB	2
METAL ANGLE BRACKET	CC	2

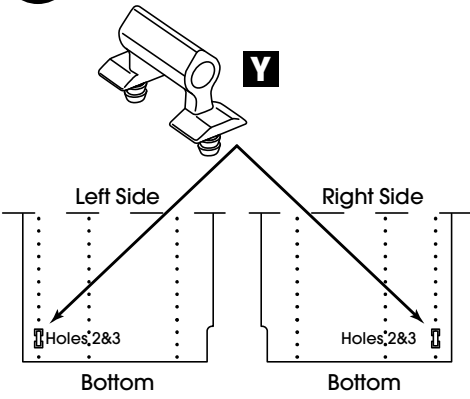
Please check that you have all parts before beginning and follow the instructions carefully.

1 Insert Cam Bolts (W) into Fixed Shelf (C & D) positions on Hutch Sides (A & B) as shown.

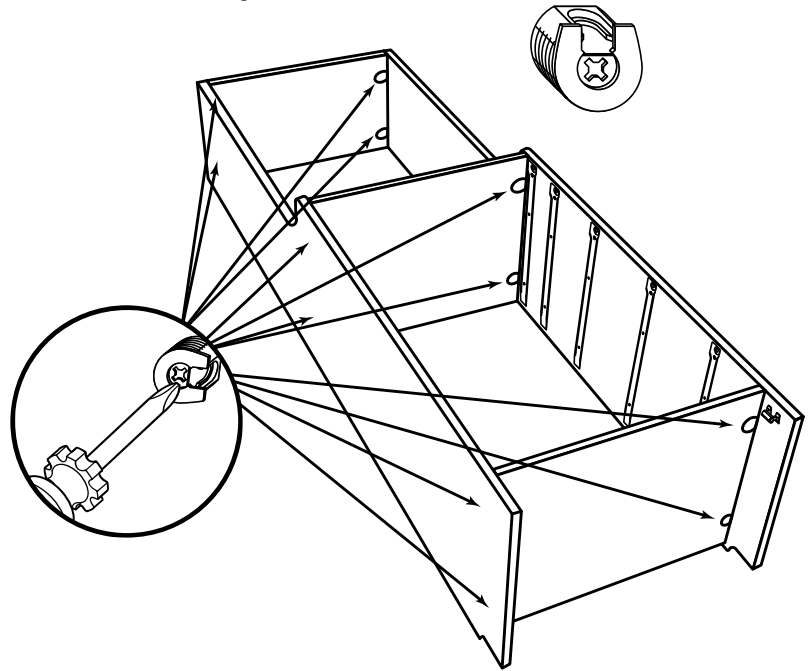
2 Attach Drawer Glide cabinet members (L & M) to Hutch Sides with Euro Screw (S) into positions as shown. Make sure that Drawer Glide marked CR is on the right and the one marked CL is on the left.



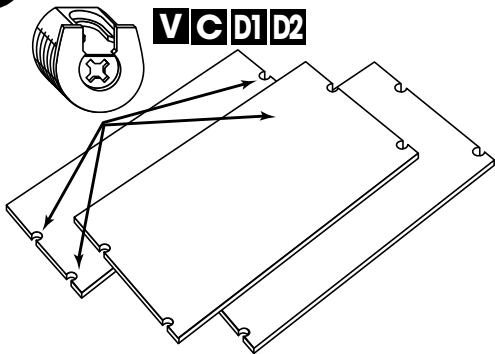
3 3) Insert Kickplate Plinth Bracket (Y) onto Hutch Sides as shown.



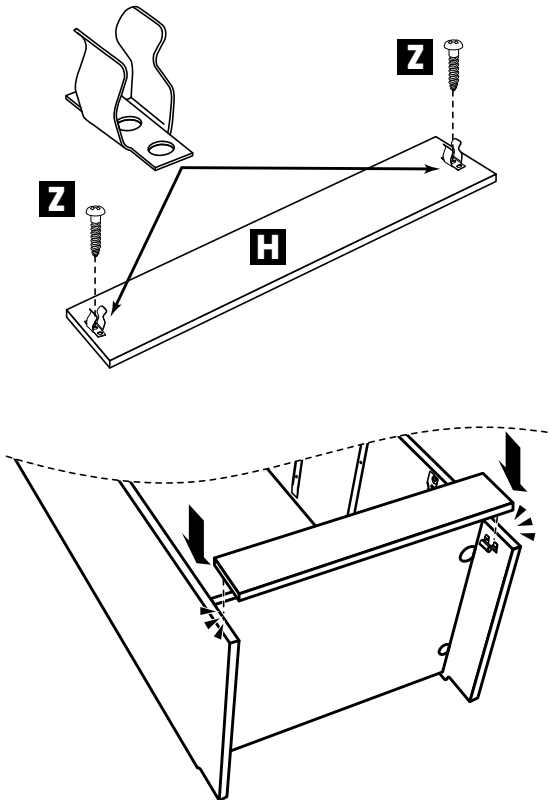
5 With Hutch Sides laying down on floor, assemble Fixed Shelves to Cam Bolts on Hutch Sides. **Note:** To lock into place, Cam Locks only require 20 lbs of force and a counterclockwise turn of 180 degrees. Excessive force or over tightening may result in improper assembly or damage to Cam Lock.



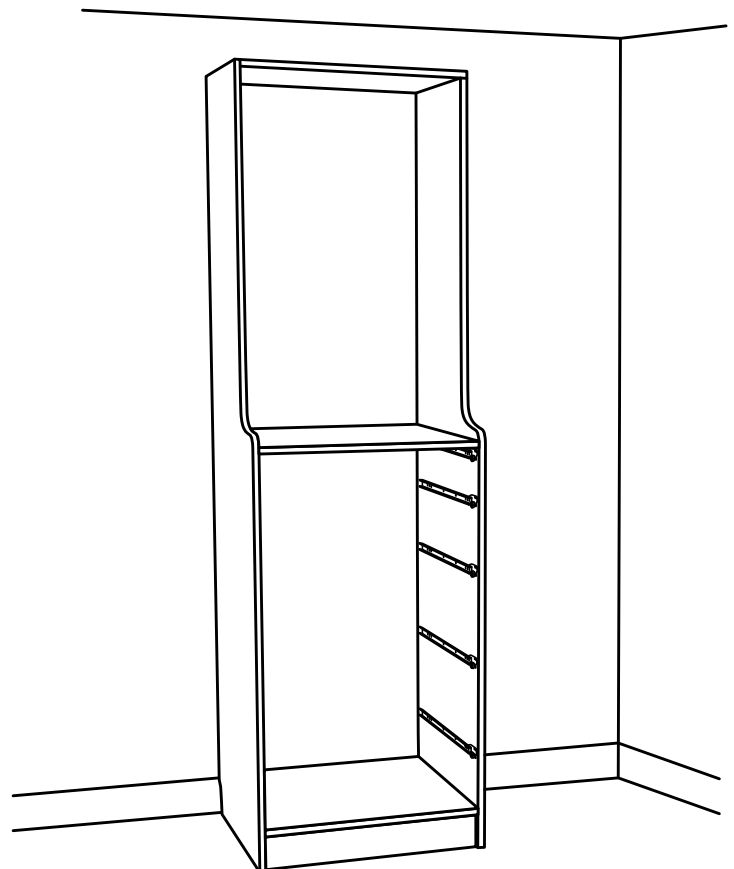
4 Insert Cam Locks (V) into Fixed Shelves (C, D1, D2).



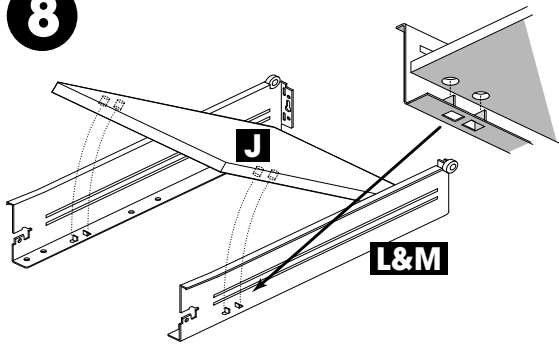
6 Attach Metal Plinth Catch vertically to Kickplate (H) using #6 x 1/2" Phillips Screw (Z) in center hole of catch. Then snap Kickplate into place.



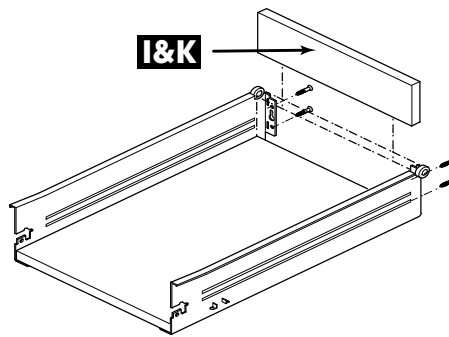
7 Stand unit up into position against wall being careful not to twist or rack.



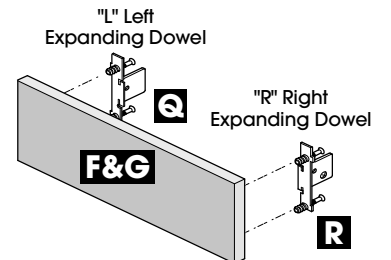
8 Assemble Drawers



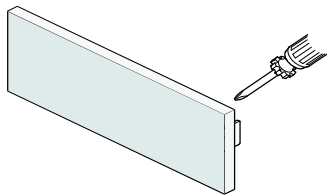
a Place Drawer Bottom (J) onto Drawer Side Panels (L&M). Press tabs into predrilled holes.



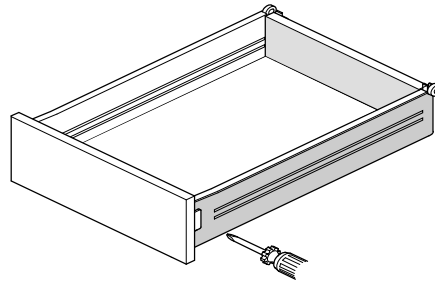
b Screw on Drawer Back (I&K). Drawer Back sits on top of Drawer Bottom.



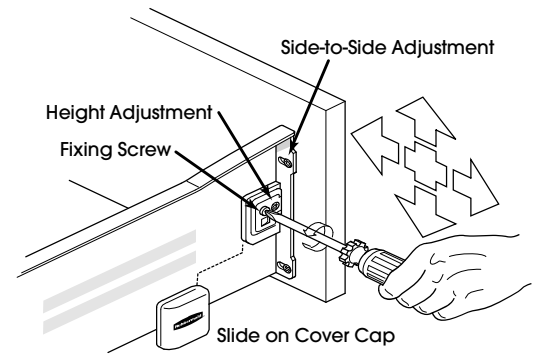
c Press Expanding Dowels (Q&R) into Drawer Fronts (F&G). NOTE: Top of drawer has greatest distance between hole and top of drawer front.



d Tighten screws on Expanding Dowels.

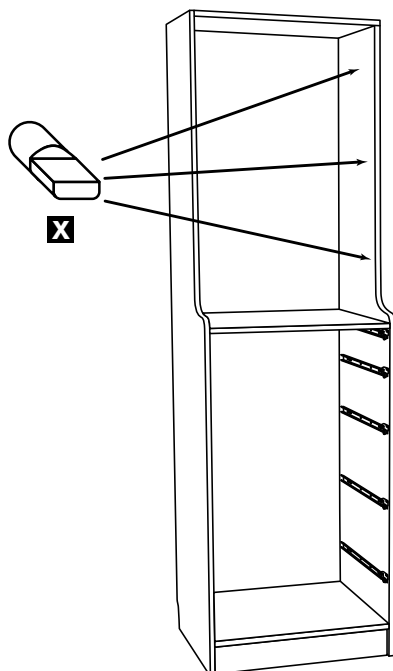


e Attach Drawer Front to Drawer Sides and tighten fixing screws on Dowels.

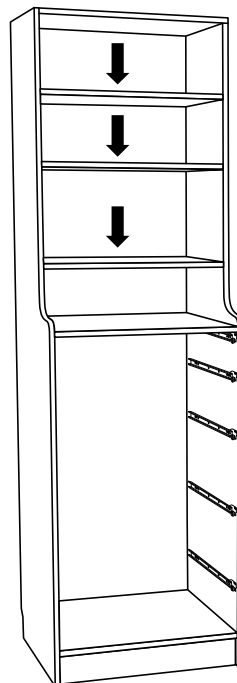


f Adjust side-to-side, up and down, and attach Cover Cap (P). Note: In order to adjust, the front fixing screw needs to be loosened first.

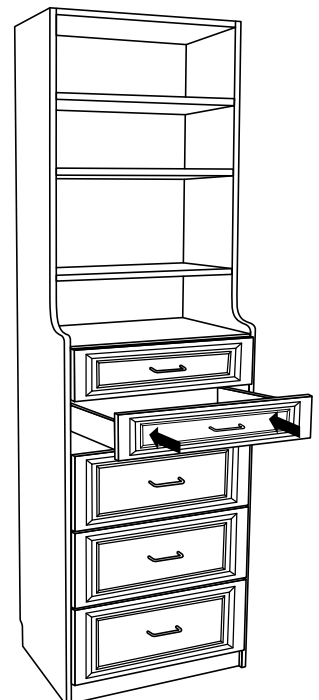
9 Place Shelf Supports (X) in desired holes on Hutch Sides.



10 Place Adjustable Shelves (E) onto Shelf Supports.

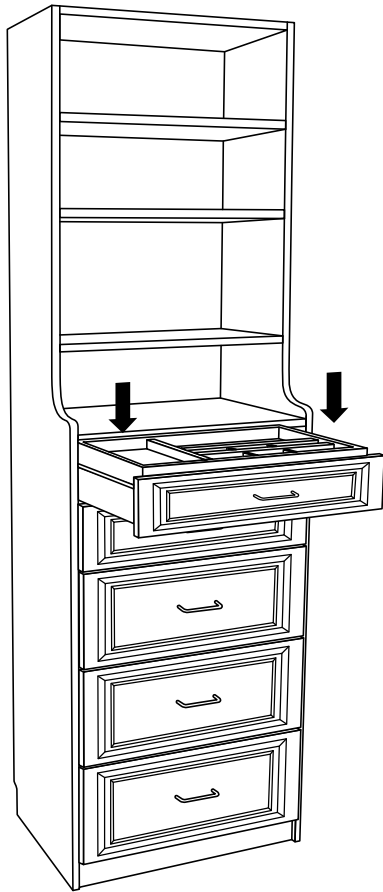


11 Insert the two 5" drawers into the top two sets of drawer glides then insert the three 10" drawers into the remaining drawer glides.



12

Place Jewelry Insert (O) into one of the 5" drawers.

**13**

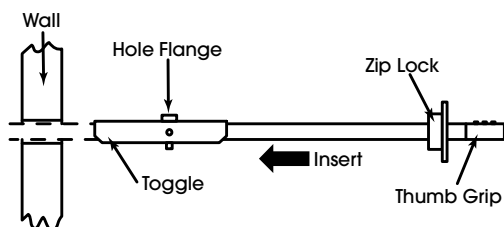
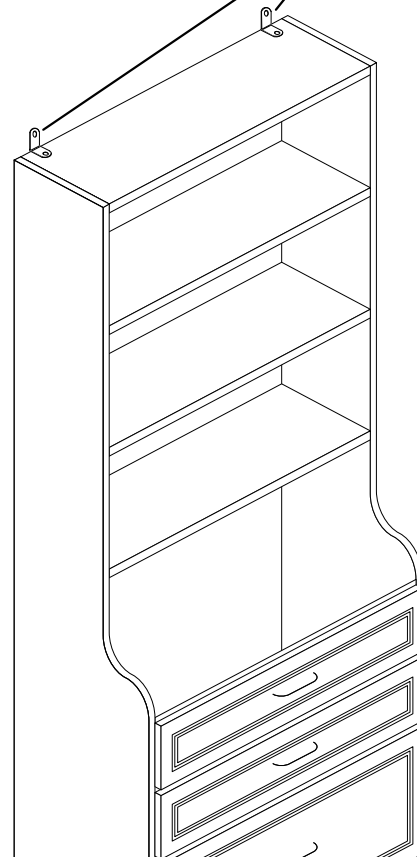
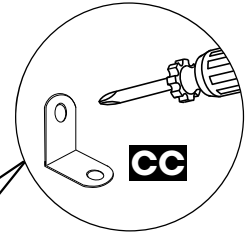
Next secure hutch unit to wall with Metal Angle Brackets (CC).

If Securing to Stud:

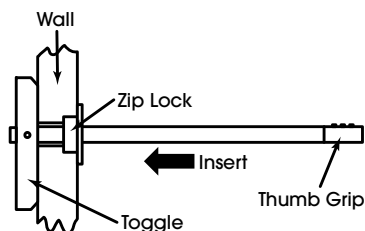
- Place Angle Bracket on top of unit snug against side and back wall. Mark both holes for each bracket.
- Drill 1/8" pilot hole for Drywall Screw (U) and 1/16" hole for #6 x 1/2" Phillips Screw (Z). Be careful not to go through side.
- Attach Angle Bracket to back wall, then screw into top. Repeat for other side.

If Securing to Drywall:

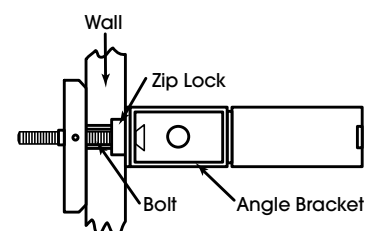
- Place Angle Bracket on top of unit snug against side and back wall. Mark holes for each bracket.
- Drill 1/2" hole through drywall for Toggle Bolt and Anchor (CC). See assembly for Toggle Bolt and Anchor instructions and drill 1/16" hole in side panel for #6 x 3/8" Phillips Screw (T). Be careful not to go through side.
- Attach Angle Bracket to back wall with Toggle Bolt, then screw into side. Repeat for other side.



After drilling 1/2" hole, insert anchor with hole flange facing up.



When toggle falls into place, hold thumb grip and slide zip lock flush against wall.



Trim plastic bands flush, position angle bracket and secure to wall.